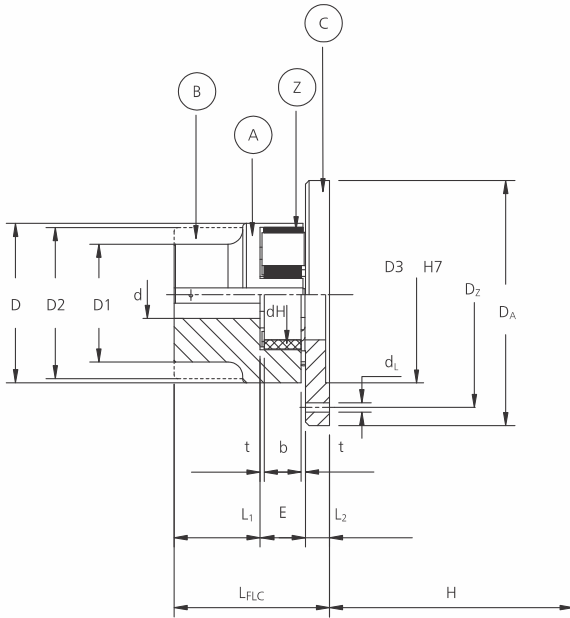
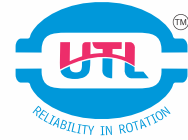


UTL UTEX FLANGE A TYPE COUPLINGS



FEATURES

- Flanged version for general mechanical engineering applications requiring a flange to shaft connection
- Coupling hub A+B from the UTEX series (with damping hub) can be used if required

Dimensions & Technical Data

Size A	Finish bore				Dimensions in mm															No. of Screws	
	Hub A Ø d (mm)		Hub B Ø d (mm)		L _{FLC}	L ₁	L ₂	L ₃	E	b	t	D _A	ØD	ØD1	ØD2	ØD3	ØD _z	d _H	d _L		H*
	Min	Max	Min	Max																	
24	10	24	14	32	56	30	8	8	18	14	2	80	55	40	55	55	65	27	4.5	16	5
28	12	28	28	38	65	35	10	10	20	15	2.5	100	65	48	65	65	80	30	6.6	18	6
38	14	38	38	45	79	45	10	10	24	18	3	115	80	66	79	80	95	38	6.6	19	6
42	19	42	42	55	88	50	12	12	26	20	3	140	95	75	94	95	115	46	9.0	21	6
48	19	48	48	60	96	56	12	12	28	21	3.5	150	105	85	102	105	125	51	9.0	22	8
55	19	55	55	70	111	65	16	16	30	22	4	175	120	98	118	120	145	60	11.0	23	8
65	22	65	65	75	126	75	16	16	35	26	4.5	190	135	115	132	135	160	68	11.0	27	10
75	30	75	75	90	144	85	19	19	40	30	5	215	160	135	158	160	185	80	13.5	31	10
90	40	90	90	100	165	100	20	20	45	34	5.5	160	200	160	196	200	225	100	13.5	35	12
100	-	-	55	110	185	110	25	25	50	38	6	25	225	180	-	225	250	113	13.5	39	12

H* - H is the minimum dimension required for the disassembly of the couplings in the radial direction

MATERIAL SPECIFICATIONS

Hub	Size - 24 - 100	Cast Iron	CI	EN - GJL - 250 (GG 25)
Flange	Size - 24 - 100	Cast Iron	CI	EN - GJL - 250 (GG 25)
Spider 92° Shore A (Yellow colour)	Size - 24 - 100	Polyurethane	PU	
Spider 98° Shore A (Red colour)	Size - 24 - 100	Polyurethane	PU	



• For temperature range of elastomers please see on page no. 34 - coupling selection

UTKARSH TRANSMISSIONS PVT. LTD.

RSV Industries Pvt Ltd
 103 Gundecha Chambers
 18 Nagindas Master Road,
 Fort, Mumbai 400001
 Tel No. : 22671598 / 22673253
 E-Mail. : sales@rsvindustries.com

www.utlcoupling.com