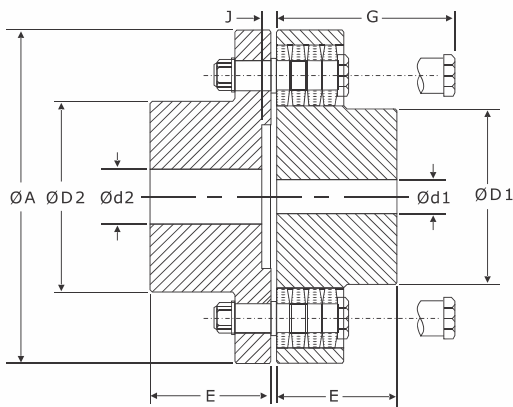


UTL URC COUPLINGS

(Coupling with Cone Rings as Elastomers)



FEATURES

- Simple mechanism, easy to inspect and change the flex cone rings, without moving either shaft or hub of the coupling
- Flex cone rings are the only wear parts, minimise running cost
- Range up to 45000 Nm

Dimensions & Technical Data

Size	Rated Torque Nm	kW Rating at 100 rpm	Maximum Speed rpm	Dimensions are in mm									Moment of Inertia kg.m ² Approx (Min Bore)	Misalignment		
				Min. Bore	Max. Bore		Ø A	Ø D1	Ø D2	E	G	J		Angular (°)	Parallel (mm)	Axial (mm)
					Ø d1	Ø d1										
20	50	0.56	6500	12	20	28	89	35	44	33	73	6	0.002	1°	0.1	1.5
30	110	1.2	4600	12	30	38	127	51	66	41	88	6	0.007	1°	0.1	1.5
38	190	2.0	4400	15	38	42	132	64	72	48	88	6	0.009	1°	0.1	1.5
42	290	3.0	4000	15	42	48	146	70	82	56	88	6	0.013	1°	0.1	1.5
48	480	5.0	3400	21	48	55	171	82	94	61	114	6	0.034	1°	0.15	1.5
58	760	8.0	3000	21	58	65	193	97	110	68	114	6	0.055	1°	0.15	1.5
70	1000	11.0	2700	21	70	75	216	117	130	76	114	6	0.092	1°	0.15	1.5
75	2600	27.0	2300	28	75	80	254	127	142	88	179	6	0.269	1°	0.2	1.5
85	3500	37.0	2090	28	85	90	279	147	160	100	179	6	0.408	1°	0.2	1.5
105	5300	56.0	1760	34	105	120	330	180	210	117	179	6	0.832	1°	0.2	1.5
120	9000	94.0	1570	61	120	130	370	206	225	132	244	9	1.811	1°	0.25	1.5
135	12000	128.0	1390	67	135	150	419	230	260	147	244	9	2.998	1°	0.25	1.5
150	16000	167.0	1280	82	150	170	457	256	300	165	244	11	4.397	1°	0.25	1.5
170	25000	258.0	1090	96	170	190	533	292	320	188	318	11	9.998	1°	0.25	1.5
190	34000	360.0	975	122	190	215	597	330	380	211	318	6	15.900	1°	0.40	1.5
215	45000	467.0	880	135	215	240	660	368	430	237	318	6	24.950	1°	0.40	1.5

MATERIAL SPECIFICATIONS

Hub	Size-20-105	Cast Iron	CI	DIN 1693 GG 20
Hub	Size-120-215	Cast Iron	CI	DIN 1693 GG 25
Cone Ring 70° Shore A	All Size	Natural Rubber	NR	ASTM D2000 710
Coupling pin	All Size	Steel C40	St	EN/DIN 10263-2



• For temperature range of elastomers please see on page no. 34 - coupling selection

UTKARSH TRANSMISSIONS PVT. LTD.

RSV Industries Pvt Ltd
103 Gundecha Chambers
18 Nagindas Master Road,
Fort, Mumbai 400001
Tel No. : 22671598 / 22673253
E-Mail. : sales@rsvindustries.com

www.utlcoupling.com